

OS-7110 Omni-Directional Laser Scanner



Introduction

SCANTECH ID is a high performance counter scanner designed to solve the bottleneck of computing system by traditional counter scanner. The LIBRA L-7050 superior performance, reliability and durability which mean increase overall performance and values of system in retail/POS computing and enterprise system solutions.

Drawing from decades of engineering experience, the SCANTECH ID LIBRA L-7050 is designed to deliver better performance and reliability, featuring. It can delivers higher scan rate and scan performance than any other counter scanner on the market. With an unequalled 2000 scans/second and a unique scan pattern of 24 scans lines. The LIBRA is the choice of every retailer who wants to optimize counter environment with a winning scanner performance and a great design!



Features

- The competitive pricing and higher performance of scanner among competitor's model.
- LIBRA focuses on its durable characteristic with IP 42 rating with 1m drop resistance.
- Reading all 1D standard barcodes, incl. GS1 Databar sets.
- Auto-sense function saves power for improve life time.
- Lightweight and ergonomic design.
- Multi-interface solution for the most popular interfaces.
- Wallmount hanging for easy installation.

Specifications

Physical Characteristics

Depth	97mm
Width	94mm
Height	162mm
Weight	350g
Color	Beige with gray

Electrical

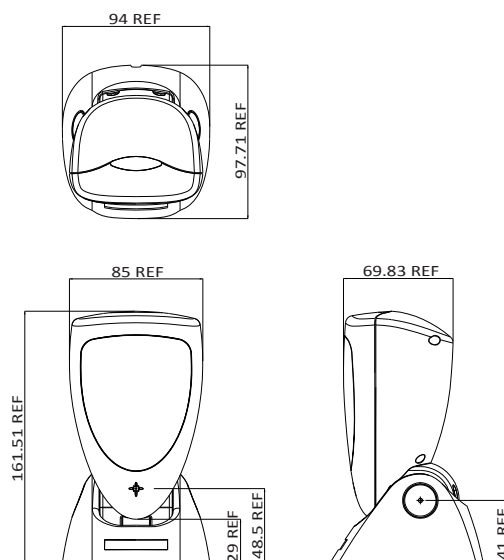
DC input to scanner	+5 V DC, 250 mA
Power output	1.25 Watt @ +5 V DC

Interfaces

RS232
KBW
USB (HID and COM port emulation)
Powered USB (optional)

Scanner Characteristics

Light source	650 nm visible laser diode
Depth of field	Up to 300 mm @ UPC/EAN , PCS 90%
Scan pattern	6 direction scan field, 24 lines scan pattern
Scan rate	2000 scans/sec
Light level	Max 4800 LUX
Barcode types	EAN/UPC/JAN + Add-on, ISBN, Code 128, EAN 128, Code 93, Code 39, Code 32, Codabar, Interleaved 2 of 5, MSI – Plessey, GS1 DataBar



Environmental

Operating Temp	0°C ~ 40°C
Storage Temp	- 20°C ~ 60°C
Humidity	20% ~ 95% RH (non – condensing)
MTBF	50,000 hrs

Safety

Laser Safety	IEC 825 –1 (1993) Class I, U.S. 21 CFR1040 Class IIa
Electrical Safety	EN 60950 second edition UL1950, c – UL (according CSA22.2.950)
Flammability Ratio	94V-0

EM Compatibility

EN 55022	2006 + A1: 2007, Class B
EN 55024	1998 + A1: 2001 + A2: 2003
EN 61000-3-2	2006
EN 61000-3-3	1995 + A1: 2100 + A2: 2005

Regularity of Compliance

CE, FCC and RoHs compliant 