

# VariPOS™

## All-in-One & Multi-touch POS Solutions

Enhancing Your Hospitality and Retail Business



*Touch our  
classical design*



- Intel® Pineview D410 / D510 1.66GHz CPU integrated
- 15" zero-bezel & projected capacitive technology touchscreen
- Flexible architectures for 7" LCD second display, MSR, iButton, fingerprint, RFID, customer display
- Aluminum base with adjustable angle & adjustable view angle of customer display
- Customized color matches your shop image
- Front panel IP 66 waterproof certificated



## Key Features



True flat & IP66 waterproof sustainable alcohol cleaning



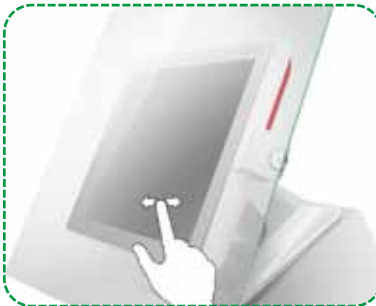
Projected capacitive technology (PCT) & multi-touch function



VESA mount standard 100mm x 100mm



HDD isolated from main heat source on mother board



The unique technology Touch through the window glass



Adjustable customer display & base

## Ordering Information

### VariPOS™ 715:

- VariPOS 715-D410 : 15" VariPOS 715 with Intel Pineview D410 1.66GHz CPU
- VariPOS 715-D510 : 15" VariPOS 715 with Intel Pineview D510 1.66GHz CPU

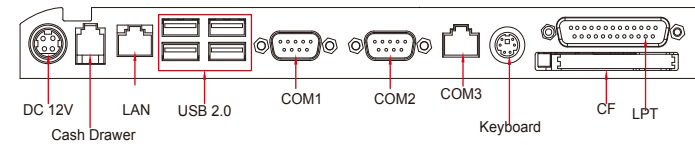
### VariPOS™ 815:

- VariPOS 815-C810 : 15" VariPOS 815 with Intel Celeron B810 1.6GHz CPU
- VariPOS 815-i3 : 15" VariPOS 815 with Intel Core i3-2330E 2.2 GHz CPU
- VariPOS 815-i5 : 15" VariPOS 815 with Intel Core i5-2510E 2.5 GHz CPU

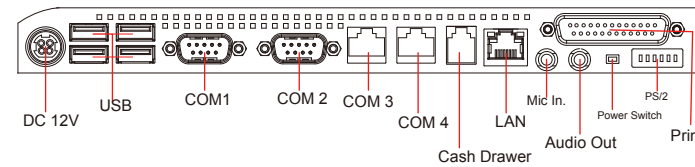
### TouchScreen Type:

- True Flat PCT (projected capacitive technology)
- True Flat 5-wire Resistive

## I/O Interface

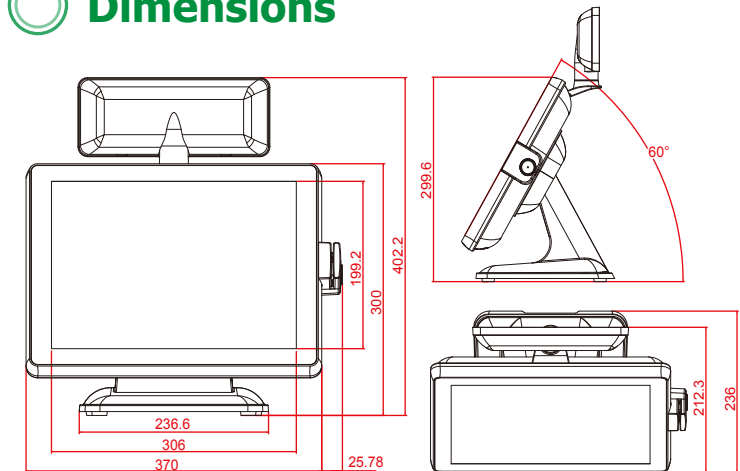


• VariPOS 715 (Standard LPT Version)



• VariPOS 815 (Standard LPT Version)

## Dimensions



### Optional Accessories:

- VFD: 2x20 Attached VFD
- MSR:Front, 3 Tracks RS-232 Type or PS/2 Type
- MSR & iButton:MSR-Front & iButton, RS-232 Type or PS/2 Type
- RFID 13.56MHz, USB Type
- Fingerprint Reader,USB Type
- LCD 2nd display,17.78 cm (7") display, 800 x 480
- Desktop Base : Aluminum Adjustable Base

## Applications



### Hospitality Solution

It's a world where customers have more choices than ever before—in what they eat, how they order and how they pay. Customers always want to shorten their waiting time. At the same time, it's a big challenge to merchant to serve customer faster in a more efficient way and raise the turnover. VariPOS helps you to maximize your operation efficiency and minimize the "customer idle time" . VariPOS hospitality solution features extremely steady performance by Intel® Pineview processor and exceptional energy saving. VariPOS provides the customized color cover to synchronize your restaurant image. This powerful computing platform is ideal for restaurant owners who want to enhance the customer experience, speed up the employees procedure and reduce operating costs.



### Retail Solution

Today's retail business is struggling. It's a large and complicated system from the manufacturers to retail shops. To do business with shoppers on a smarter planet, retailers and manufacturers need a smarter system. It needs to be instrumented, so every item of inventory can be tracked and accounted for. And it needs to be intelligent, so vast amounts of customer data can be analyzed and turned into real value in real time. VariPOS retail solution has high expansion to meet most demand of current retail industry, a wide range of POS peripherals, including a cash drawer, customer display, keyboard, printer, Omni-directional scanner etc. ' retail solution flexibility helps retailers stay ahead of changing customer trends and prepare for growth.



# Specification



	VariPOS 715	VariPOS 815			
<b>Main Board</b>				COM3 : RJ-48 for VFD, RS-232, Pin10 w/RI/5V/12V Selectable by BIOS	COM3/4 : RJ-48 , RS-232, Pin10 w/RI/5V/12V Selectable by BIOS
<b>CPU</b>	Intel® Pineview D410 (Single Core) 1.66GHz with L2 Cache 512KB	Intel® Mobile Celeron B810 1.6GHz with L3 Cache 2MB		COM4 : DB-9, RS-232, Pin9 w/RI/5V/12V Selectable by BIOS (Optional)	
	Intel® Pineview D510 (Dual Core) 1.66GHz with L2 Cache 1MB	Intel® Core i3-2330E 2.2 GHz with L3 Cache 3MB	<b>Audio Port</b>	1 x Line-out ; 1 x Mic-In(Optional)	1 x Line-out ; 1 x Mic-In
		Intel® Core i5-2510E 2.5 GHz with L3 Cache 3MB	<b>Power Switch</b>	1 x Power Switch(Optional)	1 x Power Switch
<b>Chipset</b>	Intel® Pineview + ICH8M	Intel HM65	<b>PS/2 Port</b>	1 x PS/2 connector for Keyboard	1 x PS/2 connector for Keyboard (optional)
<b>System Memory</b>	1 x SO-DIMM DDRII 667, up to 2GB	1 x SO-DIMM DDRIII 1333, up to 4GB	<b>LPT Port</b>	1 x DB-25 Printer Port (Standard)	1 x DB-25 Printer Port (Standard)
<b>Display</b>			<b>VGA Port</b>	1 x DB-15 VGA Port (Optional)	
<b>TFT LCD</b>	38.1cm (15")		<b>Card Reader &amp; iButton</b>	COM5 : Internal Pin header for Card Reader & iButton	
<b>Brightness</b>	250nits		<b>Audio</b>	HD Audio, 2W Speaker x 2	
<b>Resolution</b>	1024 x 768		<b>Bus Expansion</b>	1 x Mini-PCI-E Slot	
<b>Touch Screen</b>	True Flat Projected Capacitive Technology / True Flat 5-Wire Resistive		<b>Compliance</b>	IP 66 on front panel	
<b>Storage</b>			<b>OS Support</b>	Windows 7, Windows POSReady 2009, WEPOS, Windows XP Pro for Embedded, Fedora(Linux)	
<b>HDD / SSD Type</b>	1 x SATA 6.4cm (2.5")HDD , SSD (optional)		<b>Power Supply</b>	External adapter, DC Model:80 Watts, Voltage:+12VDC 6.6 Amax	External adapter, DC Model:120 Watts, Voltage:+12VDC 10 Amax
<b>Compact Flash Type</b>	1 x Slot Type II	N/A	<b>Material</b>	Main Unit: Die-casting aluminum ; I/O Cover:Plastic	
<b>I/O Ports -External</b>			<b>Color</b>	Main Unit: Gray / White / Black *Customized color for plastic parts	
<b>DC Input</b>	1 x Mini Din 4P (DC 12V only)		<b>Certifications</b>	CE, FCC, Class-A, RoHS, WEEE	
<b>Cash Drawer</b>	1 x RJ-11 (Power Pin 12V)		<b>Dimension( W x H x D )</b>	370 x 300x 236 mm	
<b>Network (LAN)</b>	1 x Gigabit Ethernet by RJ-45		<b>Weight</b>	5.68 Kg (Aluminium Base: 1 Kg )	
<b>USB Port</b>	4 x USB 2.0		<b>VESA Mounting</b>	100 x 100mm	
<b>Serial Port</b>	4 x RS-232	4 x RS-232	<b>Operating Temperature</b>	0°C ~ 40°C, 10% ~ 90% RH, non-condensing	
	COM1/2 : DB-9, RS-232, Pin9 w/RI/5V/12V Selectable by BIOS		<b>Storage Temperature</b>	-20°C ~ 60°C, 10% ~ 90% RH, non-condensing	

\* The right has been reserved to change the specification without prior notice.



**Poindus Systems Corp.**

Address: 6F., No. 1, Lane. 28, Xingzhong Rd.,  
Neihu Dist., Taipei City 114, Taiwan(R.O.C.)

Tel: +886-2-77214688

Fax: +886-2-77212289

E-mail: [sales@poindus.com](mailto:sales@poindus.com)

[www.poindus.com](http://www.poindus.com)

[www.varipos.com](http://www.varipos.com)

